

No call cost GSM 'Opener' *Remote control via your mobile phone.*

Open your Electric gates, Garage door, Security shutter, switch on Lights, Heaters, monitor the temperature, monitor the alarm or operate any other electrical device with ... a **FREE** mobile phone call or SMS message!



GATES



SHUTTERS



GARAGE DOORS



HEATERS



LIGHTS

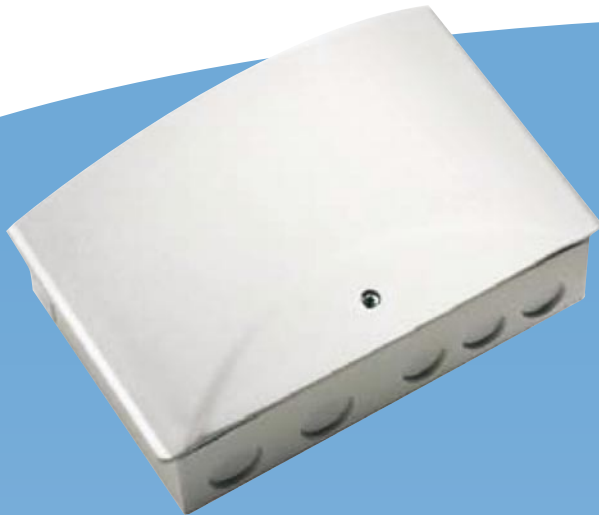
When was the last time you left home without your mobile phone?

If you always carry it with you, make better use of it & add more convenience to your life.

The GSM Opener allows you to do just that! - by activating any electrical device with a call or text message from your mobile phone. It won't cost you anything, because the GSM opener doesn't answer the call, but responds to your unique caller ID. This makes the system both very secure and fool proof. We can even incorporate a radio receiver inside the GSM opener to allow normal day to day control of devices with a radio transmitter.

The GSM Opener can monitor your house alarm and temperature and even provide feedback from a water sensor. Now you can respond to these messages and activate your heating or lighting systems remotely via your mobile phone. We can even add Radio PIR detectors or magnetic sensors that trigger an alert to your mobile if activated, it could even activate your house alarm.





Technical Specification:

Authorise up to 300 mobile phones. To add new users simply add their mobile number to the SIM card. Connect up to 2 wired inputs.

- Connect up to 2 wired temperature sensors.
- Connect up to 2 wired 5amp 240v free contact outputs that are activated via SMS or call.
- Up to 8 storable telephone numbers which the unit sends SMS or calls.
- Incorporated compatible radio receiver for up to 30 transmitters (model TVGSM100- not shown).
- Outputs can be mono-stable, bi-stable or timer function activated through SMS or call.
- GSM antenna included.
- 1 Dedicatated input for 10 radio transmitters (GSM100).
- 1 Dedicated input for up to 10 transmitters with surveillance function (Radio PIR, Water sensors, magnetic contacts or Temperature sensors).
- 2 Relay outputs with monostable, bi-stable or timer functions activated via SMS or call.
- It is possible to connect 2 temperature sensors and ask via SMS the temperature.
- It is possible to set the temperature Via SMS, and it is possible to receive an SMS if the minimun or maximun temperature value is passed.

GSM opener has 2 outputs for controlling electrical devices up to 5A each but, through an expansion module this can easily be increased. GSM opener also has 2 inputs for alarm, temperature or other contacts as well as 2 further dedicated inputs for water sensors. Up to 8 mobile numbers can be stored to which the unit sends an alarm signal, SMS or call. GSM opener will monitor your burglar, fire and smoke alarms texting you if they go off or, progressively calling you and up to 7 other numbers.

You can authorise up to 300 mobile phones per unit and can add or remove users simply through SMS or PC . Each unit is powered by 12 volts and inputs are available for battery backup. If the power fails an SMS or call is generated and the same when power is restored.



Now it is possible to remotely monitor your home or garage and receive an alert via SMS or a call warning you of an activation. Simply install wirelss PIR detectors and magnetic contacts to your doors and windows and program them to the GSM 'opener'. If a detector or sensor is triggered you and upto 7 alternative numbers will be notified via SMS or call. This is an inexpensive means of protecting your property remotely and due to its uniuqe combination of GSM and radio technology installation time is reduced as there are no wires between the GSM opener and the sensors.

The GSM opener can also monitor room temperature, trigger an alert via SMS or call and even allow the acitvation of heaters via your mobile phone.



RadioTransmitter



Wireless PIR Detector



Wireless magnetic door or Window contact.

TVGSM200

GSM RECEIVER WITH RADIO MODULE

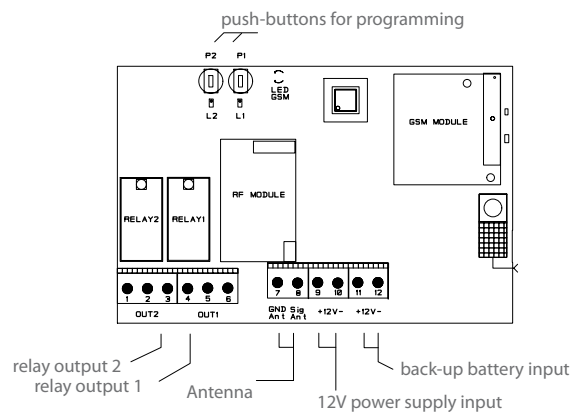


GSM receiver with integrated radio module and management of the transmitters with SMS



- Possibility to activate the relay outputs with:
 - radio transmitter of the TVlink range (2 relays)
 - telephone call (only 1 relay), "Gate function", without costs for the caller and for the receiver
 - SMS (2 relays)
- Possibility to memorize and to delete transmitters of the TVlink range in the memory of the radio receiver by sending an SMS ("Access control" function)
- Possibility to activate or deactivate a telephone number by sending an SMS
- Possibility to enable a telephone number to activate the relay in the unit for a limited number of times (from 1 to 999) by sending an SMS ("Limited access" function)
- Relay outputs with monostable, bistable and temporized function
- The control unit sends SMS or phone calls to 8 telephone numbers
- Possibility to memorize up to 300 telephone numbers from which you can send SMS or phone calls in order to operate the control unit
- Possibility to memorize up to 100 radio transmitters
- Possibility to manage the transmitters and the control unit functions through PC or SMS

- 12Vdc power supply
- Input for back-up battery
- 5A 250V relay outputs
- Integrated antenna for GSM
- IP54 housing



TVGSM

FUNCTIONS AND AVAILABLE MODELS

	TVGSM000	TVGSM100	TVGSM200
- 1 radio input, 30 programmable transmitters		●	
- 2 wired inputs with sec (?) contact	●	●	
- 1 input for NTC temperature detector	●	●	
- 2 outputs for 16A relay programmable by SMS	●	●	●
- 1 output programmable by telephone with possibility to memorize up to 30 numbers	●	●	●
1 – Function for opening by means of the telephone: Relay output which can be activated by means of telephone call (automatic hanging up after identification = no cost for the caller). Possibility to memorize up to 300 numbers, management of the phone numbers by PC or by SMS. Possibility to memorize phone numbers with temporary limited access for "x" accesses.	●	●	●
2 – Possibility to activate by SMS two outputs with monostable, bistable or temporized function. 16A 250Vac relay.	●	●	●
3a – Radio receiver compatible with TVLink, with possibility to memorize 30 transmitters with different detection functions: 10 standard transmitters up to 7 channels 10 transmitters with auto-surveillance function 10 transmitters with temperature emission		●	
3b – TVLink radio receiver with possibility to memorize 100 transmitters for the opening command. Management of the transmitters by SMS or by PC.			●
4 – Possibility to associate the sending of an SMS or a GSM phone call to a radio event (coming from a transmitter)		●	
5 – Possibility to associate a signal via SMS to the 2 wired inputs	●	●	
6 – Indication of the temperature value by means of an external probe and possibility to send this value by SMS	●	●	
7 – Automatic sending of an SMS with the detected temperature value if the minimum or maximum threshold has been exceeded	●	●	
8 – Indication by SMS of the sector return (?). Indication by SMS of the sector disappearance (?) (optional with buffer battery)	●	●	
9 – 12V power supply	●	●	●
10 – Input for buffer battery	●	●	●
11 – Integrated GSM antenna	●	●	●
12 – External GSM antenna (option)	●	●	●
13 – Sector adapter (option)	●	●	●
14 – 8 programmable phone numbers for the sending of SMS	●	●	●
15 – Possibility of programming by PC (serial gate Rs232) or by SMS	●	●	●
16 – Possibility to increase the quantity of inputs and outputs by means of an extension module connected to the serial gate (option)	●	●	●
17 – Signalling of the functions by means of LED on the receiver	●	●	●



TVGSM000 ●
GSM module (without RF module)

TVGSM100 ●
GSM module compatible with the TVLink transmitters (with RF module) for management and detection

TVGSM200 ●
GSM/radio receiver for the access control. It is the simplified version of the TVGSM100. It is not supplied with temperature management and wired inputs. It is supplied with two relays which can be activated by GSM or by TVLink transmitters (up to 100 transmitters). The TVLink transmitters can be memorized and cancelled by PC or by SMS.

TECHNICAL SPECIFICATIONS

Reception frequency	868.3 MHz
Power supply	12Vdc
GSM	Quad-band
Operating temperature range	-10° +60°C
Maximum commutable power at the relays	5A
Dimensions	137x96x46mm

OPTIONS:

TMP150



Temperature sensor with 1.5 mt wire. For the detection of the temperature from -40° to +85° C.

ANTGSM100



External GSM antenna.

AL-GSM-12V



230V to 12Vdc power supplier.